



PINAL COUNTY
wide open opportunity

REGULATIONS GOVERNING OVERHEAD ELECTRIC SERVICE

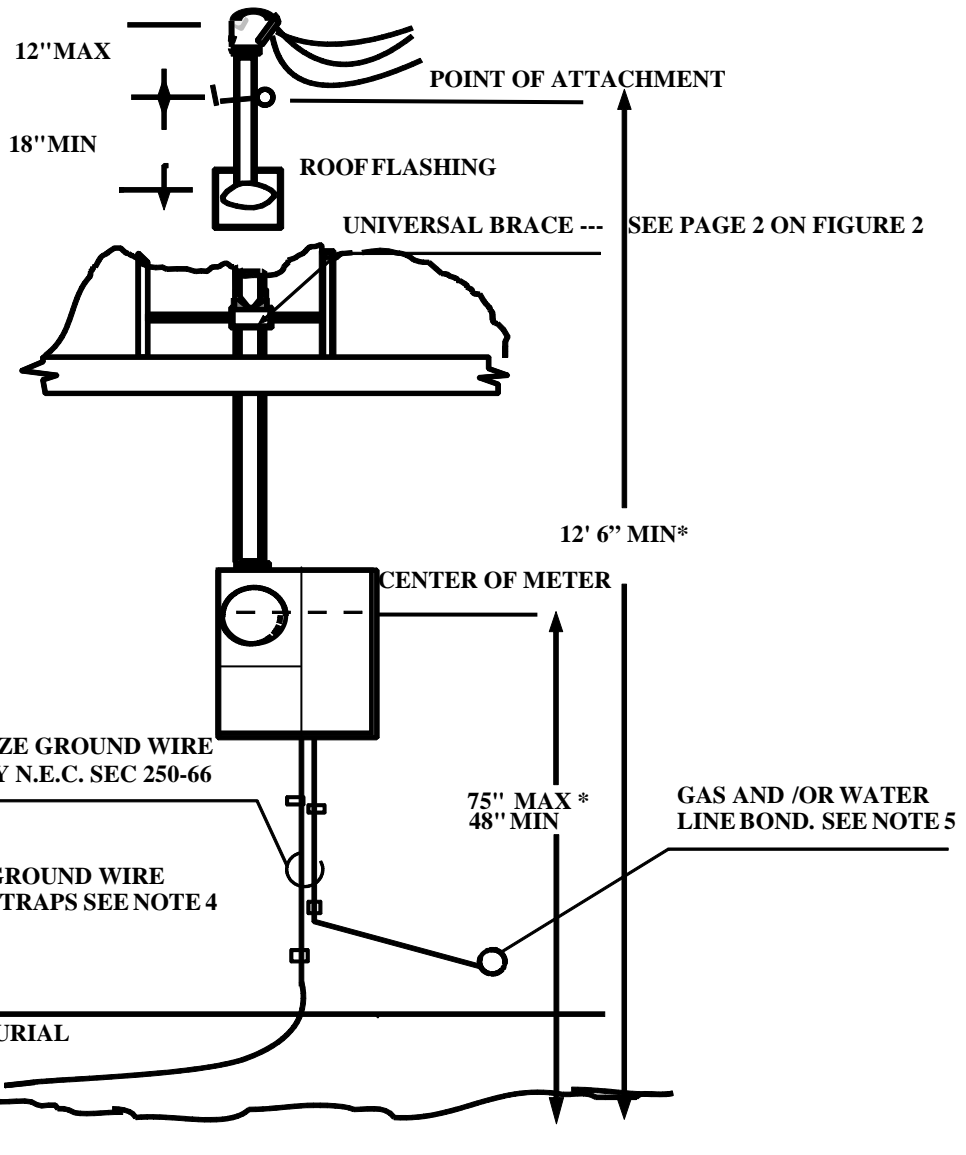
PINAL COUNTY BUILDING SAFETY DEPARTMENT
P.O. BOX 1610, FLORENCE, AZ. 85132
31 N. PINAL STREET, BLDG F
(520) 866-6405 FAX (520) 866-6517
www.pinalcountyaz.gov

INFORMATION
BULLETIN
005

December 2010

WEATHERHEAD
SEE NOTE 3

SEE NOTE 1 FOR RISER
REQUIREMENTS



*** FOR ADDITIONAL INFORMATION, CONTACT THE UTILITY CO. IN YOUR AREA**

NOTES:

1. SERVICE RISER MUST BE GALVANIZED RIGID CONDUIT 1 1/2" FOR 100/ 125 A. AND 2" FOR 200 AMP. *
2. SERVICE CONDUCTORS SIZED ACCORDING TO NEC 2005 TABLE 310.15(B)(6) AND FOOTNOTES. (# 4 COPPER(CU) FOR 100A , #2 CU FOR 125A & # 2/0 CU FOR 200A RESIDENTIAL)*
3. WEATHERHEAD MUST BE MINIMUM OF 24" ABOVE ROOF. POINT OF ATTACHMENT MORE THAN 30" ABOVE ROOF REQUIRES A BACK BRACE. (20" FOR 1 1/2") SEE PAGE 2. *
4. GROUND WIRE MUST BE FASTENED TO STRUCTURE A MINIMUM OF 18" APART.
5. BOND METAL WATER PIPING WITH SAME SIZE WIRE AS GROUND WIRE. BOND GAS LINE, IF ANY, WITH WIRE SIZED ACCORDING TO N.E.C. TABLE 250.122. GAS LINE AND METER MUST BE 36" OR MORE FROM A VERTICAL PLANE AT CLOSEST EDGE OF ELECTRICAL SERVICE. *
6. SERVICE DROP MUST NOT BE CLOSER THAN 8' TO ROOF, EXCEPT WHERE CROSSING OVER HANG TO MAKE ATTACHMENT AT RISER, THEN SERVICE DROP MUST BE AT LEAST 18" ABOVE ROOF.

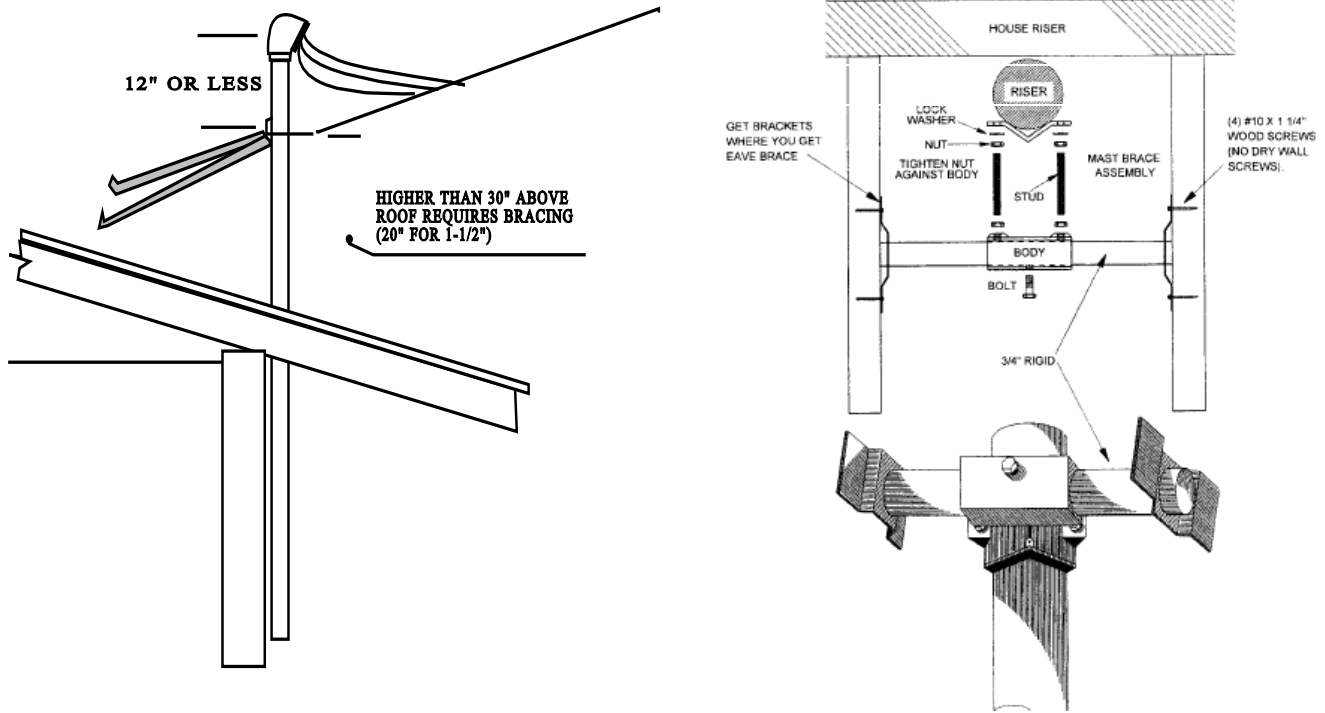


Figure 2

Risers that are to be braced shall be braced against the pull of the service drop conductors. Bracing shall consist of two galvanized steel members installed at approximately a 90 degree spread. Minimum size braces shall be 3/4" rigid galvanized steel pipe or 1-1/2" x 1-1/2" x 1/8" galvanized steel angle.

EXCEPTION: Residential Only.... 3/4" galvanized tubing (EMT) may be used for braces if used to pull against the load as shown in figure 2 and 4. Push braces must be galvanized rigid steel as listed above.

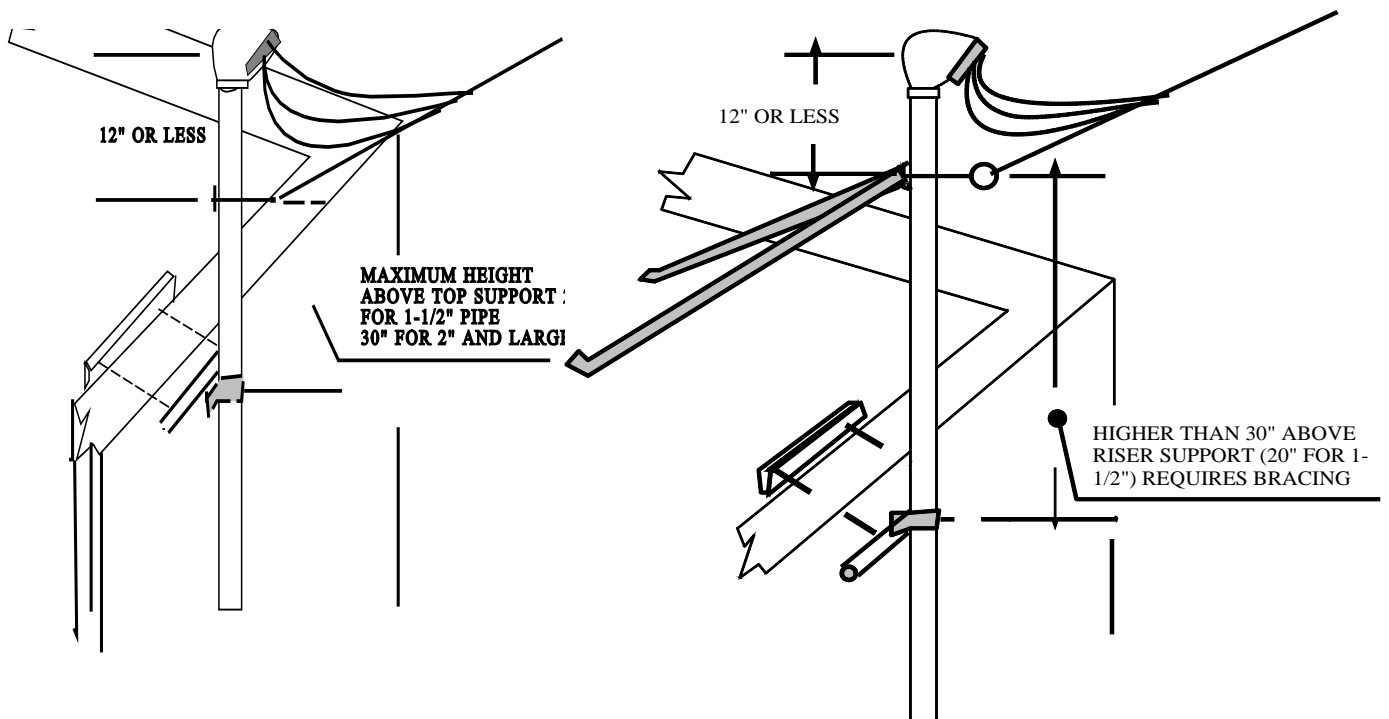


FIGURE 3 FLAT ROOF

FIGURE 4 FLAT ROOF